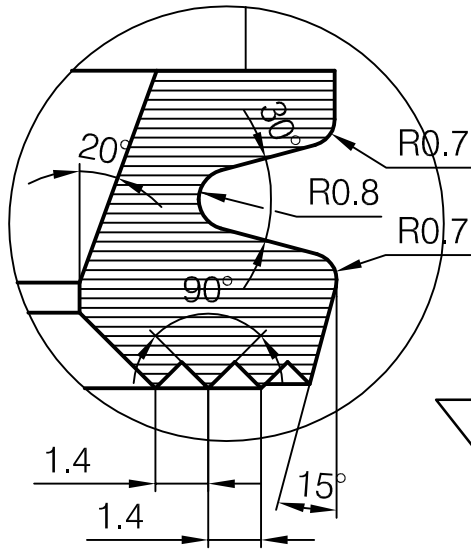


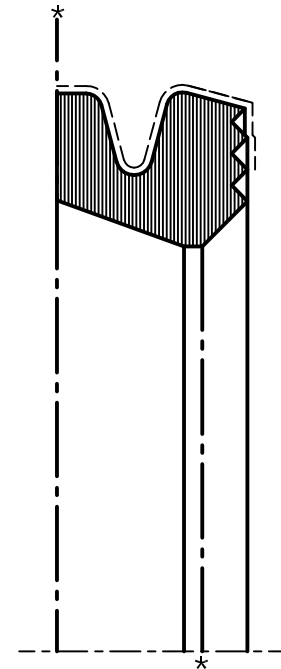
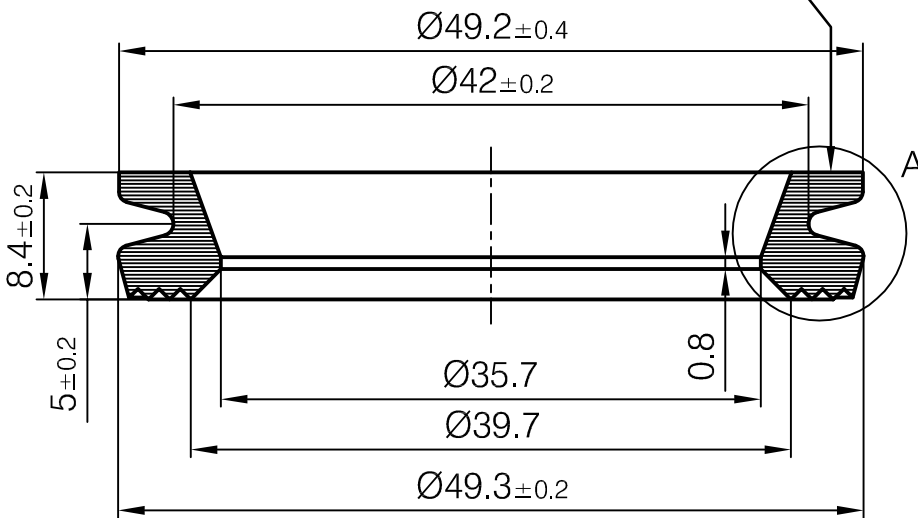
A5:1



CAVITYMARKING HAVE TO BE SITUATED ON THIS SURFACE.
 MAX. PROTRUDING HEIGHT 0.15 MM, OR MAX. -0.3
 MAX. HEIGHT OF CAVITYMARKING 2.0 MM



KAVITETSMÆRKNING SKAL PLACERES PÅ DENNE OVERFLADE.
 MAX. FREMSTÅENDE HØJDE 0.15 MM EL. MAX. -0.3
 MAX. HØJDE PÅ KAVITETSMÆRKNING 2.0 MM

TOLERANCES	
Deviation for measurements without tolerances	
LENGHT	± 0.3
DIAMETER	± 0.3
ANGLE	± 1°
RADIUS	± 0.2
GEN. ROUGHNESS	-



MAX. BURR IN PARTING/LINE 0.4MM IN-/OUTSIDE.
 MAX. GRAT I SKILLEFLADE 0.4MM IND-/UDVENDIG.

PAKKEFLADE -----
 SEALING AREA -----
 SKILLEFLADE -----
 SPLIT LINE -----

GROSS LENGHT/M	GROSS WEIGHT/KG	DISTRIBUTION MMDK	DATE 04-06-2004	PLOT DATE -
SURFACE/ COLOUR		SPECIFICATION	DESCRIPTION BUNDPAKN. MF-AB	
MATERIAL NBR 60 SHORE A		SPECIFICATION 00360	DRW.NO. - REV.	
		NAME	102-539C6	
		SCALE 2:1		

THIS DRAWING IS THE PROPERTY OF MICRO MATIC A/S AND MUST NOT BE USED, DISCLOSED OR REPRODUCED WITHOUT PRIOR WRITTEN AUTHORITY.

FILENAME W:\MDOC\Archives\PROD\Beer\102-539.dwg