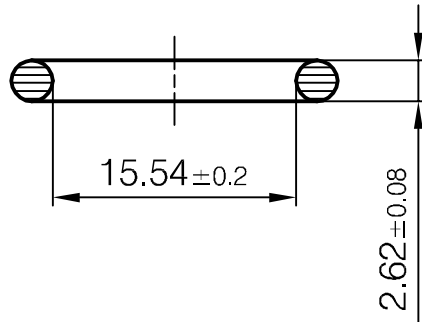



TOLERANCES	
Deviation for measurements without tolerances	
LENGHT	±
DIAMETER	±
ANGLE	±
RADIUS	±
GEN. ROUGHNESS	



GROSS LENGHT/M REFERENCE: BS 114	GROSS WEIGHT/KG	DISTRIBUTION MMDK	DATE 10-12-1998	PLOT DATE 05-10-1998
SURFACE/ COLOUR		SPECIFICATION	DESCRIPTION O-RING	
MATERIAL NBR 70 FDA		SPECIFICATION 00270		
		NAME MW	DRW.NO. - REV.  102-911C02	
		SCALE 2:1		

THIS DRAWING IS THE PROPERTY OF MICRO MATIC A/S AND MUST NOT BE USED, DISCLOSED OR REPRODUCED WITHOUT PRIOR WRITTEN AUTHORITY.

FILENAME W:\MDOC\ARCHIVES\PROD\BEER\102-911.dwg