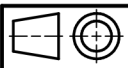


1

2

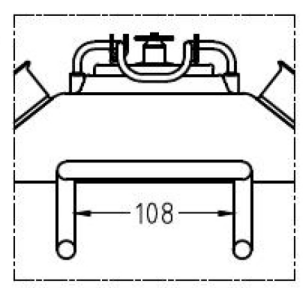
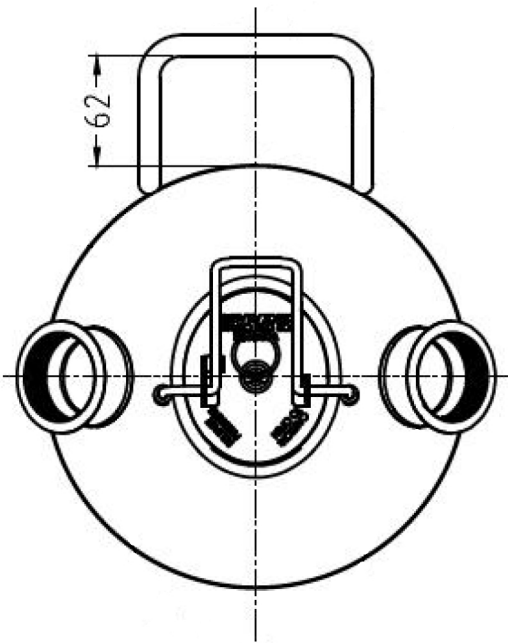
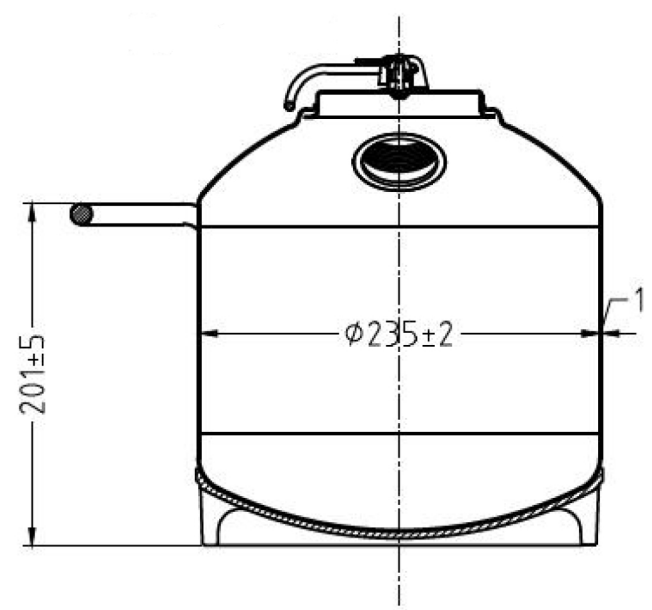
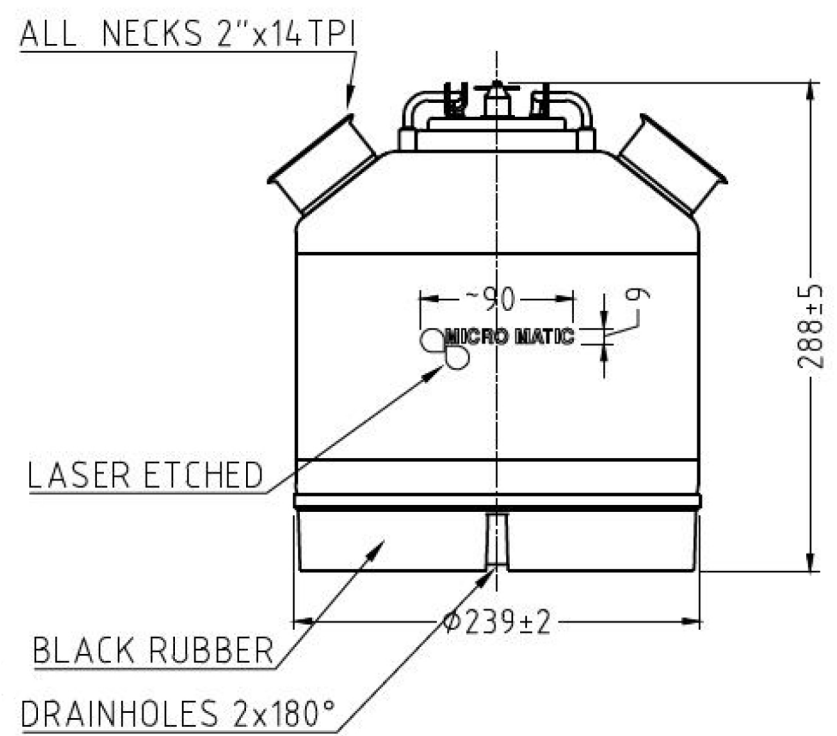
3

4



A
B
C
D
E
F

A
B
C
D
E
F



MICRO MATIC

©

THIS DRAWING IS THE PROPERTY OF MICRO MATIC A/S AND MUST NOT BE USED, DISCLOSED OR REPRODUCED WITHOUT PRIOR WRITTEN AUTHORITY.

1

2

3

4