

Specifications

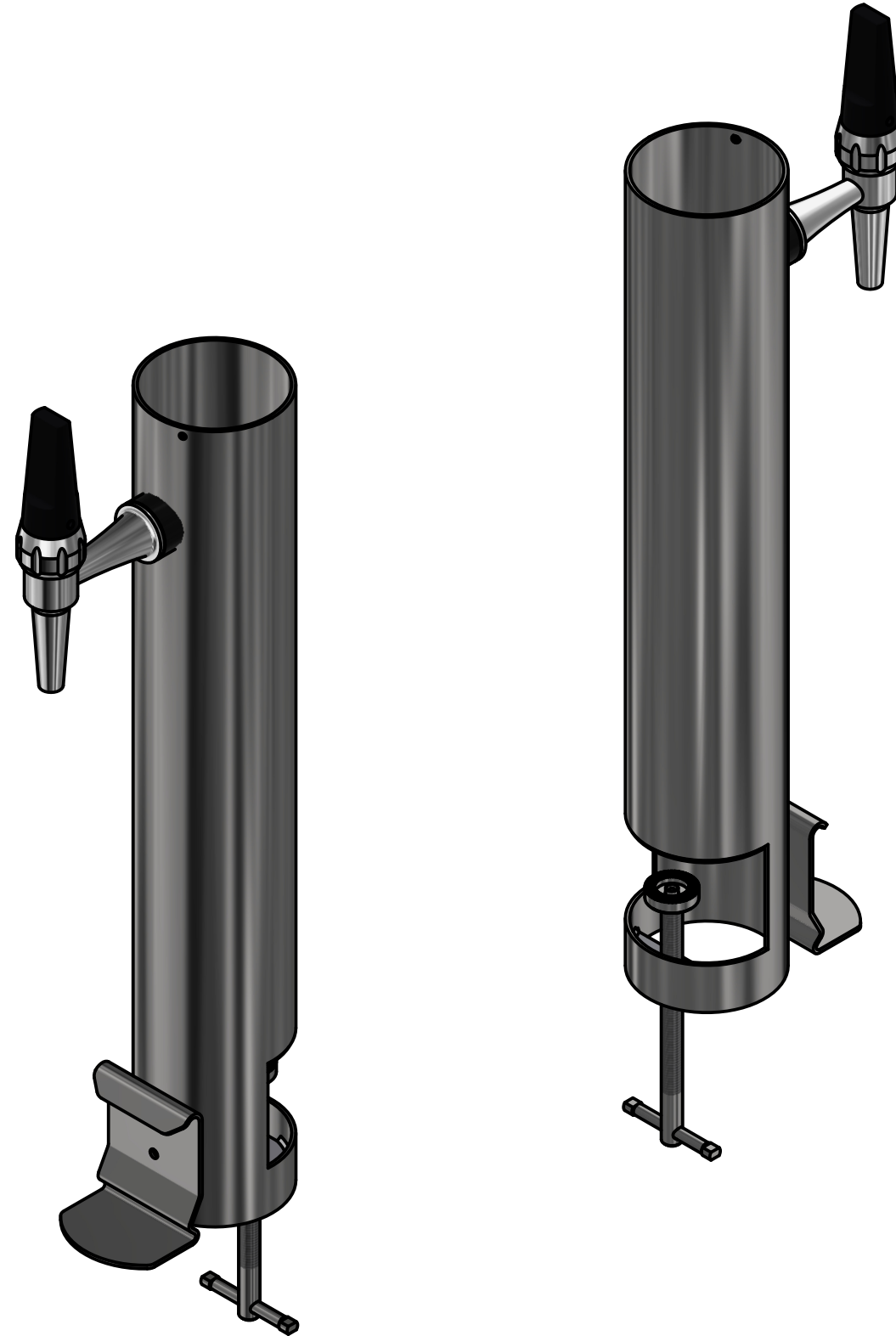
Model: Skagen I1
Material: Stainless steel
Surface: Brushed
Branding: No branding
Fixation: Clamp on
Tap: Alumasc
Handle: Standard
Shank thread: 1/2"
Beer line: 5/16" - Valpar
Cooling line: None
Note:

19-007 - Skagen I1 - Brushed, A-tap - No branding

Material:

14/09/2022 c:\temp\dce9334d-abad-4782-95bf-135134998024\WF\11110063.idw

THIS DRAWING IS THE PROPERTY OF MICRO MATIC A/S AND MUST NOT BE USED, DISCLOSED OR REPRODUCED WITHOUT PRIOR WRITTEN AUTHORITY.



Material:

14/09/2022

c:\temp\dce9334d-abad-4782-95bf-135134998024\WF\1110063.idw

THIS DRAWING IS THE PROPERTY OF MICRO MATIC A/S AND MUST NOT BE USED, DISCLOSED OR REPRODUCED WITHOUT PRIOR WRITTEN AUTHORITY.