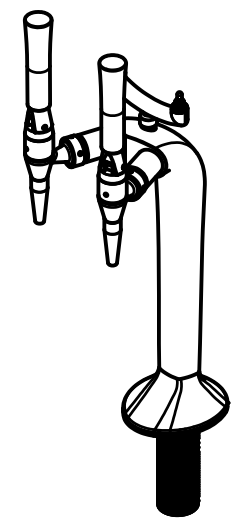
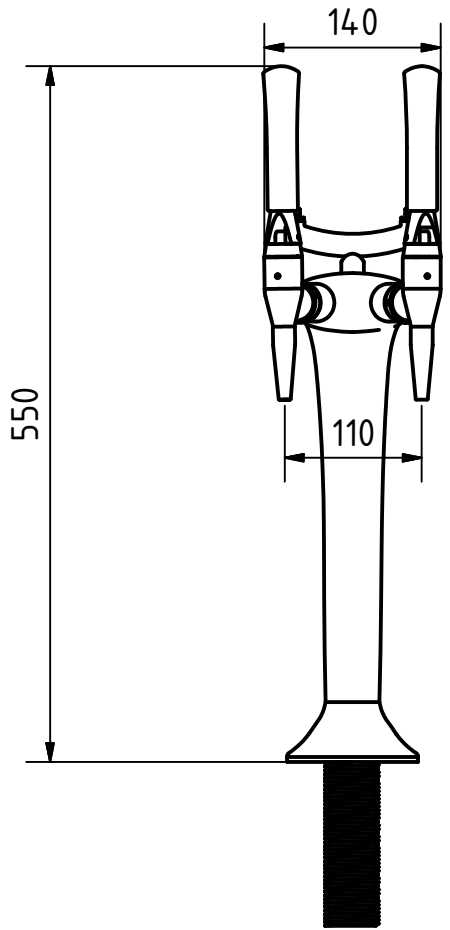



1 ¼ (42mm)



				Date	Name			
				Drawn	2019-06-11			MAW
				Checked				
				Standard				
						34-048		
						1		
						A4		
State	Changes	Date	Name					