

1

2

3

4

A

A

B

B

C

C

D

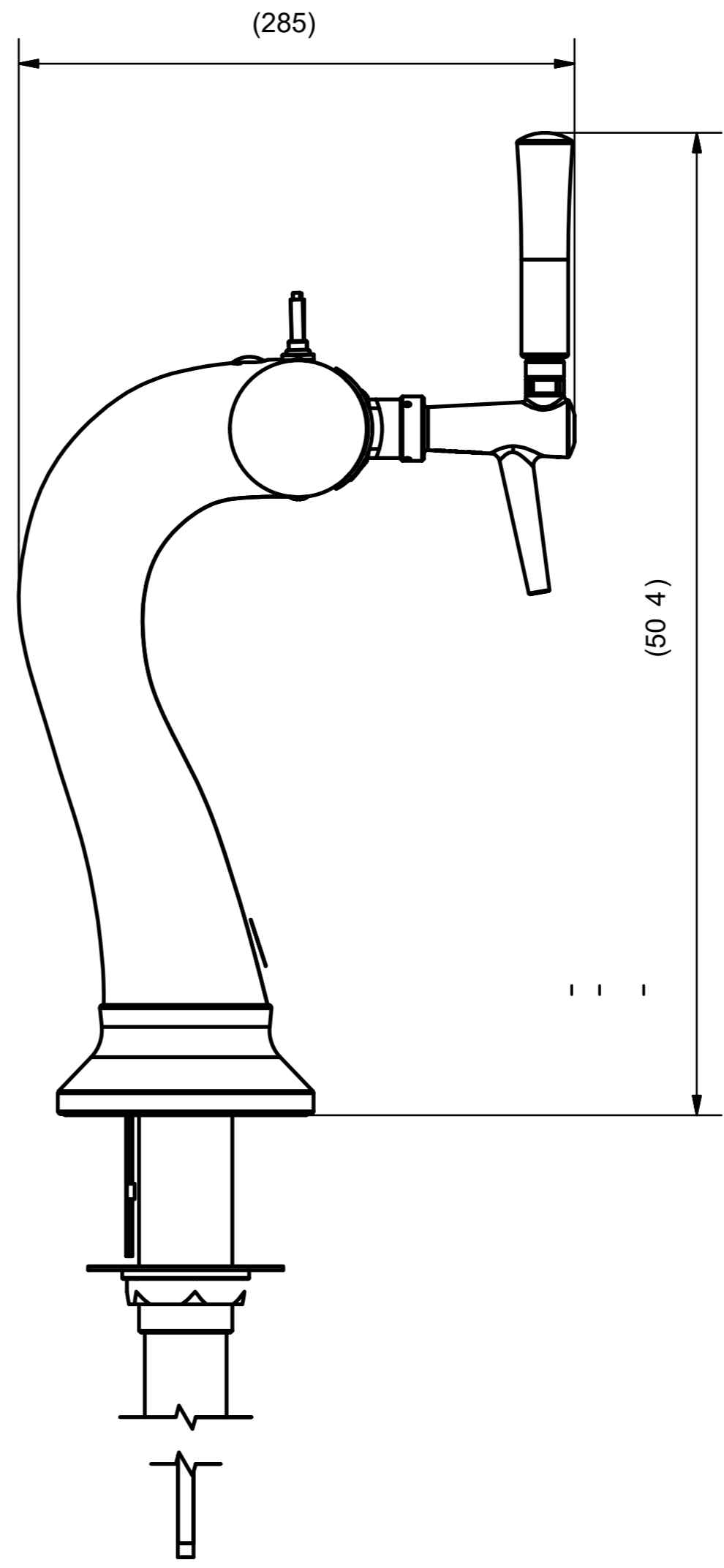
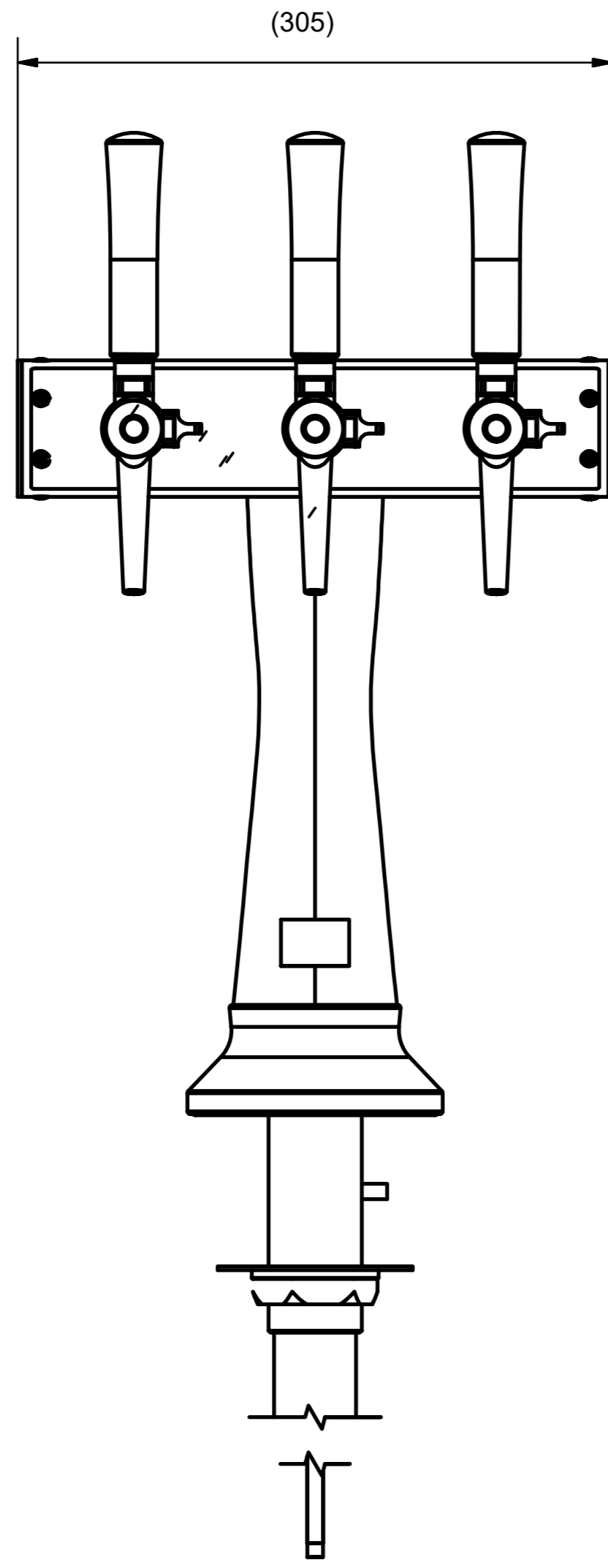
D


E

E

F

F



REVISION C00 (02-05-2019 - PAUKI): Drawing added		
TREATMENT SURFACE / SPECIFICATION OR COLOUR	DESCRIPTION LotusT3, Gold	
MATERIAL SPECIFICATION	C-tap, Q/C	
	NET WEIGHT 5769 g	DRW.NO. - REV. 11-290C00
	CREATIONDATE: 02-05-2019	
THIS DRAWING IS THE PROPERTY OF MICRO MATIC A/S AND MUST NOT BE USED, DISCLOSED OR REPRODUCED WITHOUT PRIOR WRITTEN AUTHORITY.		
FILENAME: C:\Vault\WF\Designs\Production\Font\Lotus Font\Lotus font assemblies\11-290.idw		

