

1

2

3

4

A

B

C

D

E

F

A

B

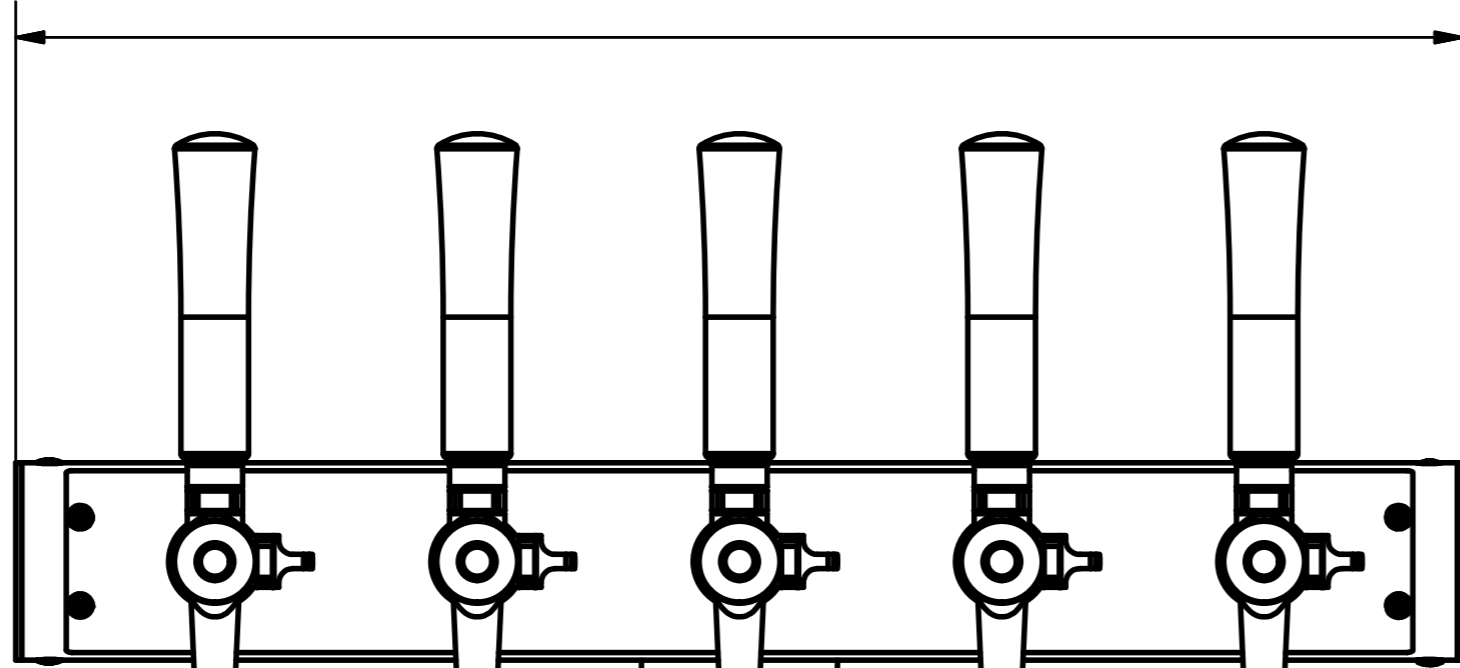
C

D

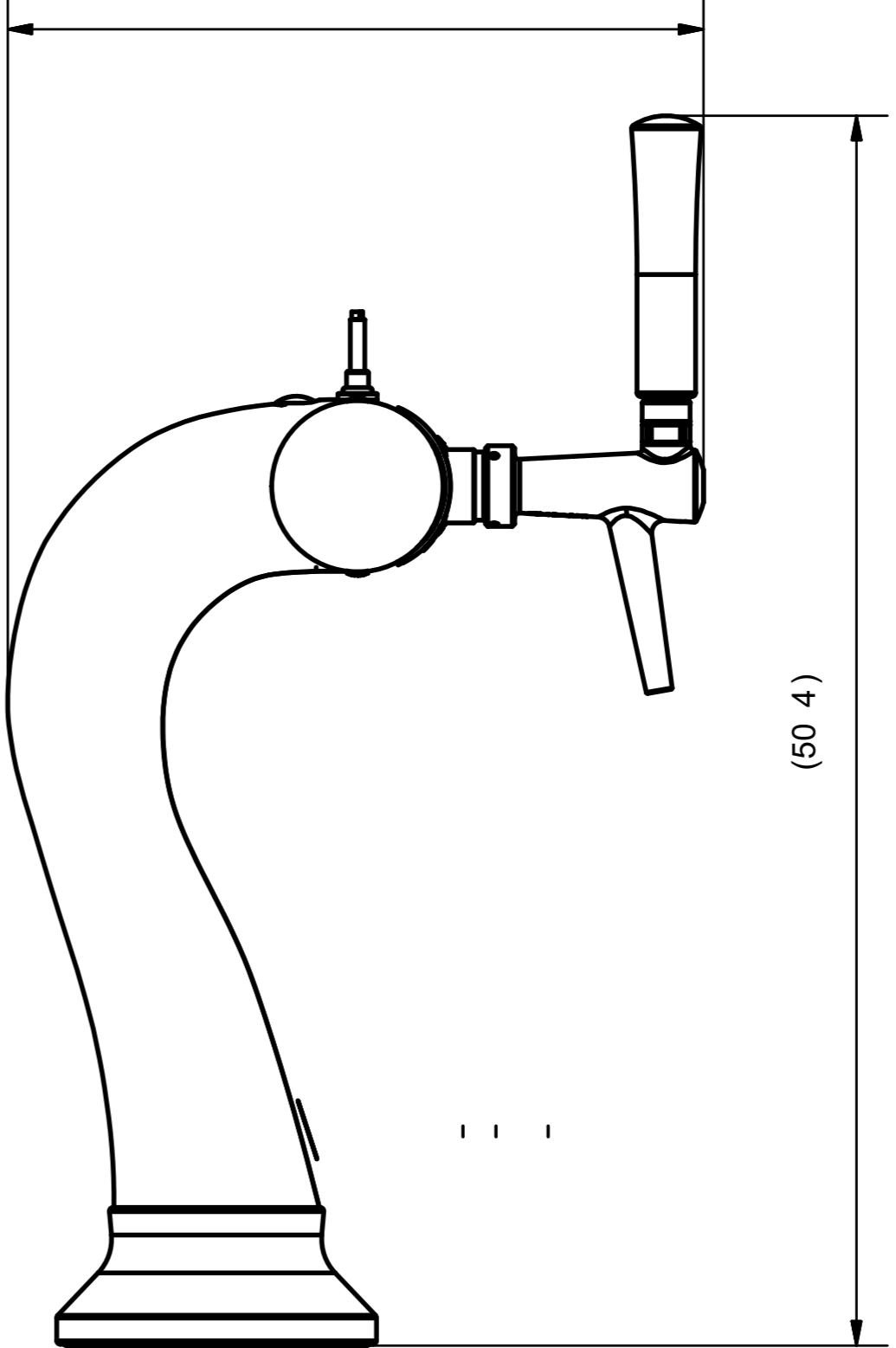
E

F

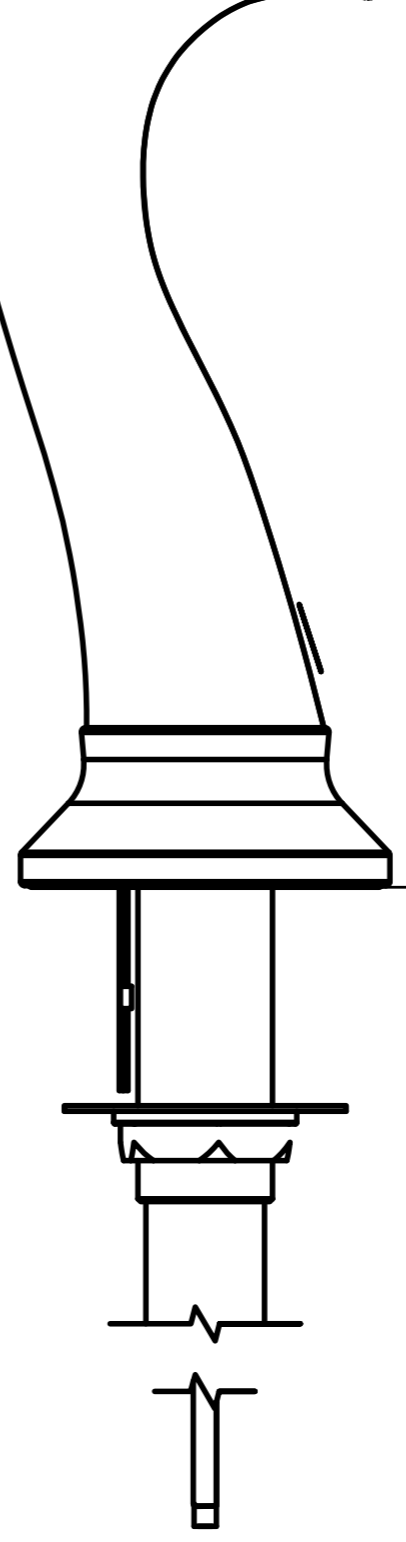
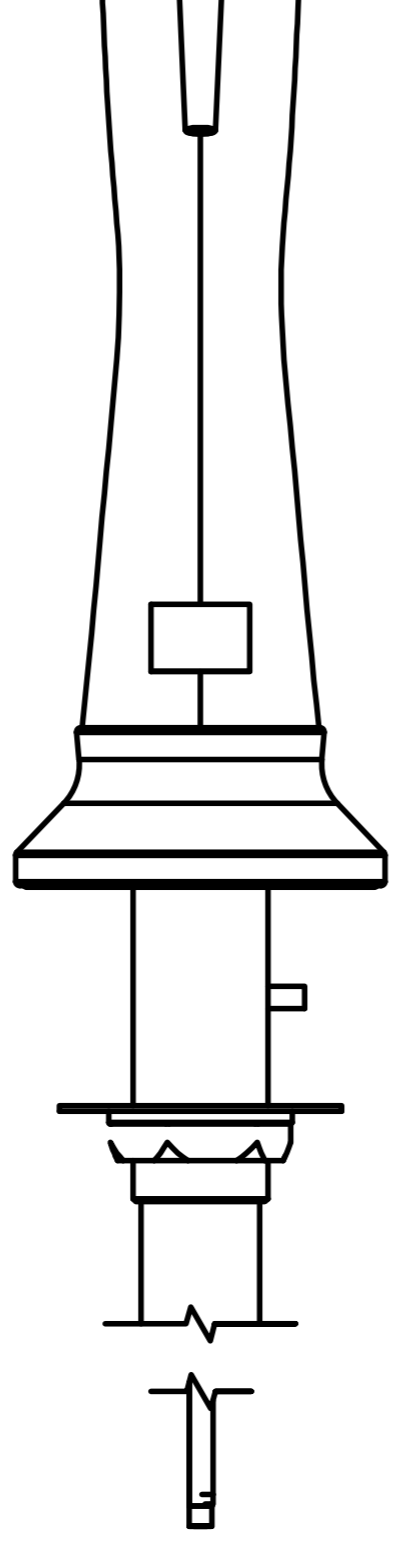
(513)




(285)



(504)



REVISION C00 (03-05-2019 - PAUKI): Drawing added		
TREATMENT SURFACE / SPECIFICATION OR COLOUR	DESCRIPTION LotusT5, Gold	
MATERIAL SPECIFICATION	C-tap, Q/C	
	NET WEIGHT 8312 g	DRW.NO. - REV. 11-292C00
	CREATIONDATE: 03-05-2019	
THIS DRAWING IS THE PROPERTY OF MICRO MATIC A/S AND MUST NOT BE USED, DISCLOSED OR REPRODUCED WITHOUT PRIOR WRITTEN AUTHORITY.		
FILENAME: C:\Vault\WF\Designs\Production\Font\Lotus Font\Lotus font assemblies\11-292.idw		

1

2

3

4