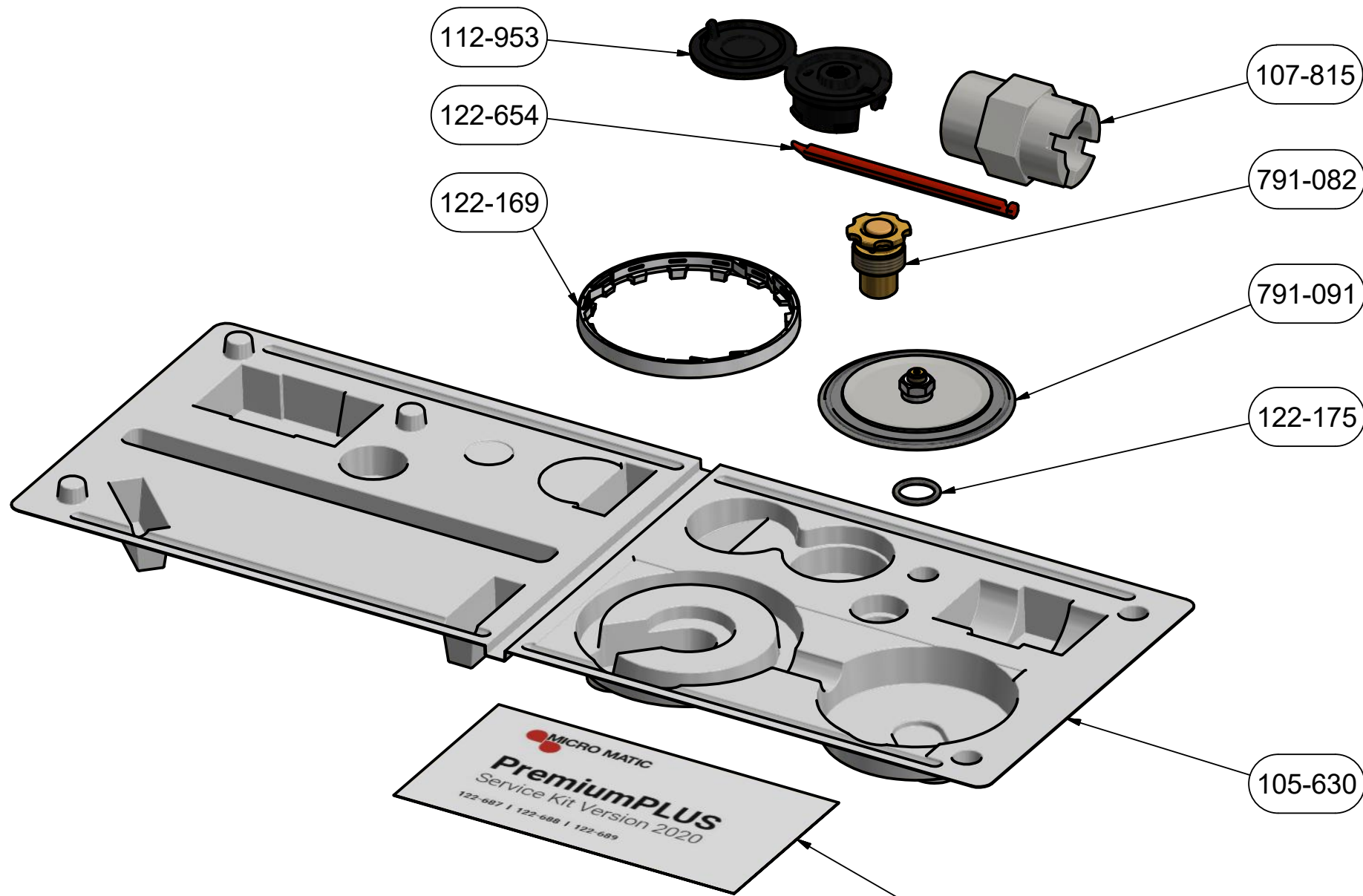
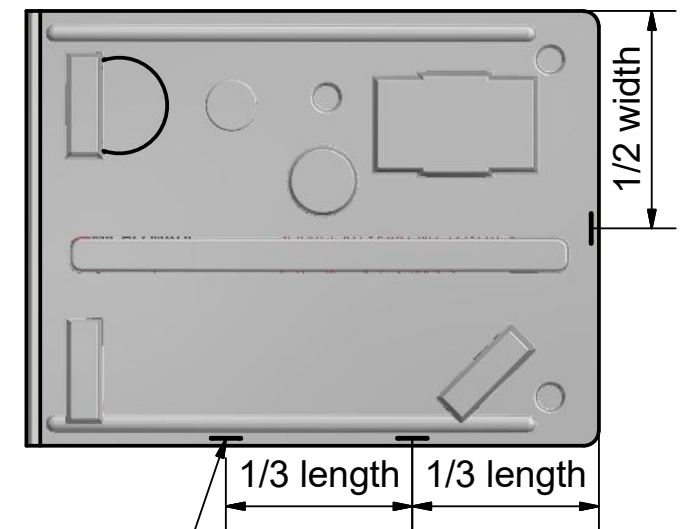


Service Kit unassembled

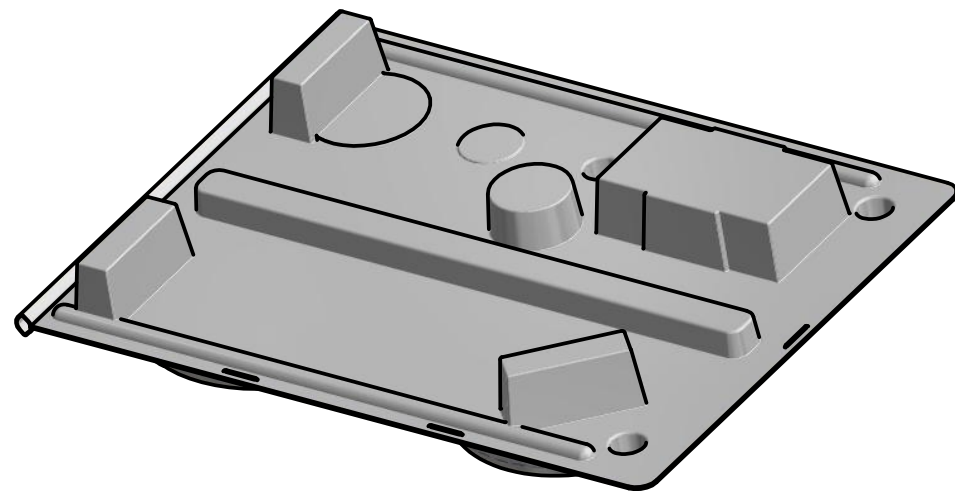


Packaging instructions:

Service kit to be assembled, and closed with 3 X Staples. Staples are to be placed approx. as indicated on drawing.



Service Kit assembled



Variant controlled leaflet language

3 X (105-871) Kanban controlled

		NET WEIGHT 130 g	DRW.NO. - REV. 122-687C00
		CREATIONDATE: 21-02-2020	
THIS DRAWING IS THE PROPERTY OF MICRO MATIC A/S AND MUST NOT BE USED, DISCLOSED OR REPRODUCED WITHOUT PRIOR WRITTEN AUTHORITY. FILENAME: C:\Vault\WF\Designs\Production\Premium Plus\122-687.idw			